



***TA38
Electric
Actuator
for Industry***



TA38 Electric Actuator Improves Industrial Equipment

A very small actuator that can push 1,500N

Powerful, fast, light and quiet, the TA38 electric actuator is the ideal solution for industrial equipment.

TA38 General Features

- Max. load: 1,500N in push
- Max speed at full load: 7.9mm/s under 1,500N
- Noise Level: ≤ 56 dB
- Protection class: Up to IP66
- Min. install. dimension: \geq Stroke +115mm*
- Option: Hall sensor(s)



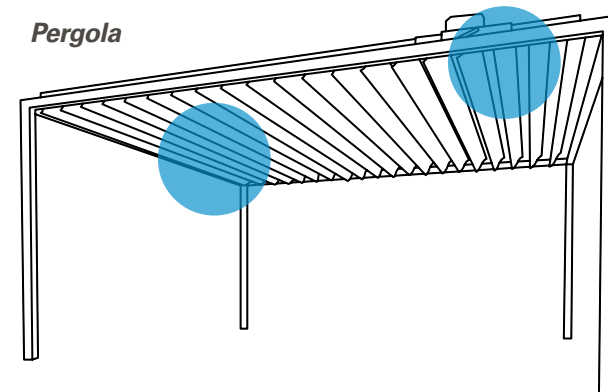
* If the stroke is less or equal to 45mm, the minimum retracted length is 160mm.

TA38 Electric Actuator Applications

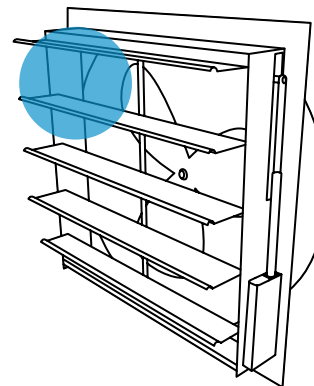
The TA38 electric actuator is the new solution for industrial equipment which becomes durable and easy to control:

- Ventilation Systems
- Windows
- Pergolas

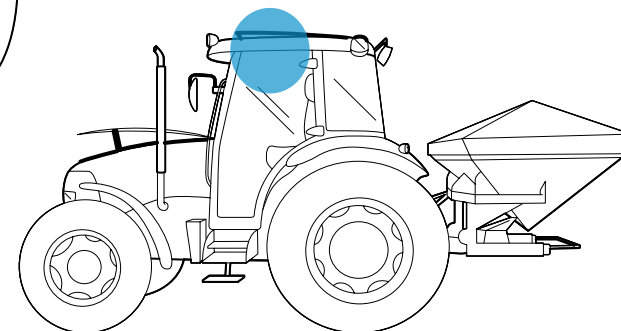
Pergola



Ventilation System



Tractor Roof Window





TIMOTION USA

For more information, please visit our website www.timotion.com
or email us sales.us@timotion.com

Copyright © 2020 TiMOTION. All rights reserved.

