

B5 B14

BROTHER'S B5/B14 MOUNTING STYLES



Brother Gearmotor delivers the ultimate peace of mind by introducing our quality 5 year limited warranty on our full line of standard products.

A VARIETY OF OPTIONS TO FIT YOUR BUSINESS NEEDS...

Increase your mounting capabilities using our wide range of products and provide more flexibility and freedom in your design.

B14 (Standard)

- Allows for easy attachment to a torque arm or other accessories such as encoders.

B5 (Option)

- Easy drop in that follows standard IEC design.
- Ease of flange mounting over using a torque arm when required.

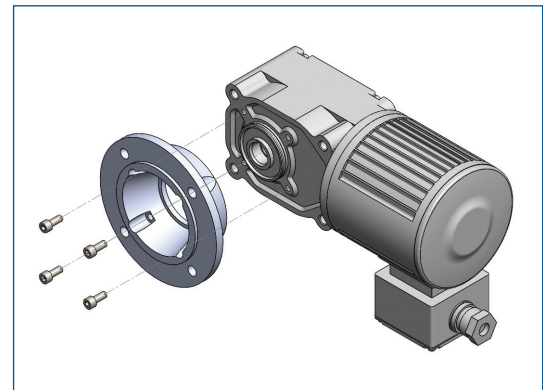
Gearmotors can be purchased with a pre-attached B5 flange. Also, B5 flange kits are available for Brother's B14 reducer models that are purchased without a B5 flange.

Availability (B14 and B5)

1/8-2 HP Models: Up to a 60:1 Ratio

3 HP Models: Up to a 30:1 Ratio

With a premium design and rugged build, Brother Gearmotors are built to go further than the competition...so you can do the same.



brother
at your side

Brother International Corporation, Gearmotor Division

200 Crossing Blvd., Bridgewater, NJ 08807-0911

866-523-6283 • Fax: 908-575-3743

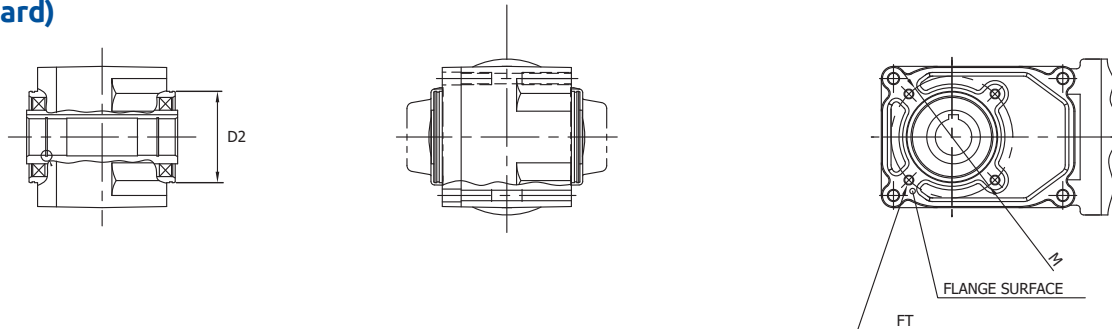
BrotherGearmotors.com

Contact us today for a sample!

BROTHER'S B5/B14 MOUNTING STYLES

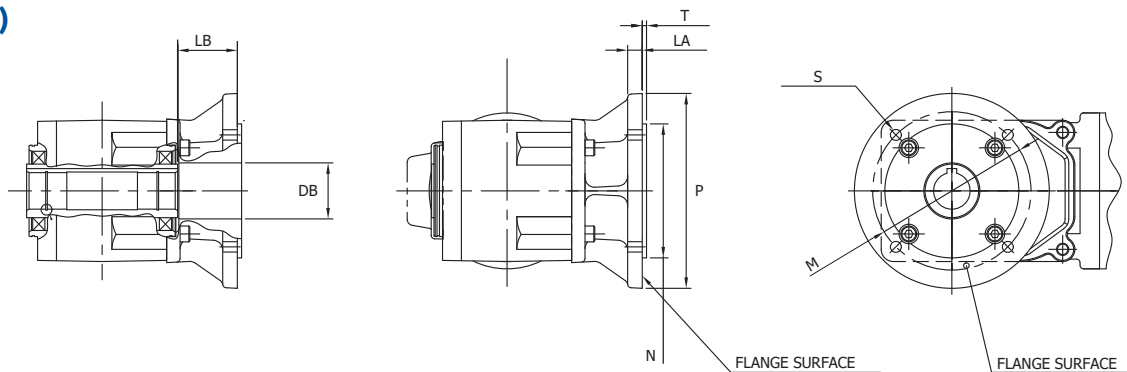


B14 (Standard)



Frame	D2	M	FT (mm)	Hole Depth	Thread Depth
20	53mm	75mm	M6XP1.00	15mm	12mm
	2.09"	2.95"		0.59"	0.47"
25	66mm	85mm	M8XP1.25	24mm	21mm
	2.60"	3.35"		0.94"	0.83"
30	75mm	100mm	M8XP1.25	25mm	22mm
	2.95"	3.94"		1.00"	0.87"
35	85mm	115mm	M10XP1.25	27mm	24mm
	3.35"	4.53"		1.06"	0.94"
45	100mm	130mm	M12XP1.75	29mm	25mm
	3.94"	5.12"		1.14"	0.98"

B5 (Option)



Frame	N	M	P	S	LA	T	LB	DB
20	80mm	100mm	120mm	7mm	8mm	3mm	33mm	34mm
	3.15"	3.94"	4.72"	0.26"	0.31"	0.12"	1.30"	1.34"
25	110mm	130mm	160mm	9mm	10mm	4mm	40mm	39mm
	4.33"	5.12"	6.30"	0.35"	0.39"	0.14"	1.57"	1.54"
30	110mm	130mm	160mm	9mm	12mm	4mm	49mm	46mm
	4.33"	5.12"	6.30"	0.35"	0.47"	0.14"	1.93"	1.81"
35	130mm	165mm	200mm	11mm	14mm	4mm	51mm	49mm
	5.12"	6.50"	7.87"	0.43"	0.55"	0.14"	2.01"	1.93"
45	130mm	165mm	200mm	11mm	16mm	4mm	89mm	67mm
	5.12"	6.50"	7.87"	0.43"	0.63"	0.14"	3.50"	2.64"

brother
at your side

Brother International Corporation, Gearmotor Division

200 Crossing Blvd., Bridgewater, NJ 08807-0911

866-523-6283 • Fax: 908-575-3743

BrotherGearmotors.com

Contact us today for
a sample!