

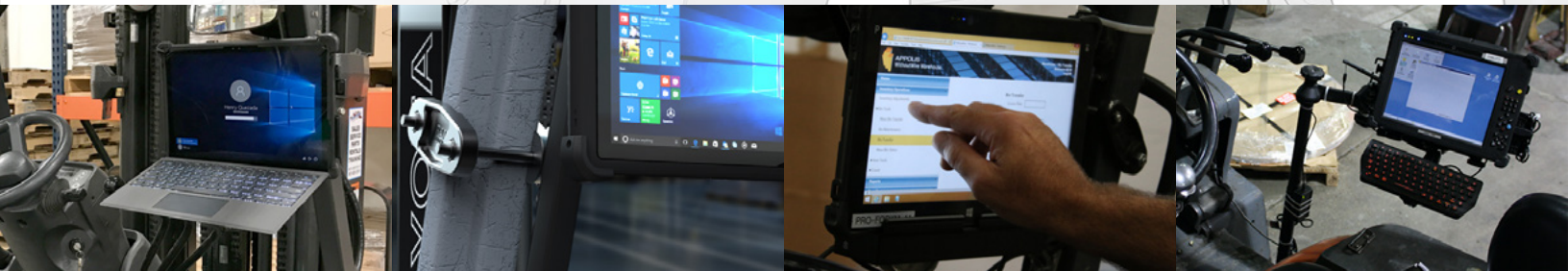
POWERED & NON-POWERED

# FORKLIFT MOUNTING GUIDE



## POWERED COMPONENTS

DESCRIPTION	VIEW
Forklift Upright Post Mounting Kit	
Powered Dock	
Keyboard Mount - Short Arm	
Low Profile Keyboard	
Keyboard Mount - Long Arm	
Backlit Keyboard	
Wiring Kit	



Stay powered up, mobile and productive all day long with a variety of forklift and keyboard mounting solutions. Built sturdy to withstand the steady vibration of life in a vehicle or on a forklift. The quick release design allows the tablet to be easily mounted and removed in an instant.

## BUILD YOUR FORKLIFT MOUNTING POWERED SOLUTION



T8650



T1190



T1150, T1180, A1180



T1680

<a href="#">Power Dock</a>		<a href="#">Power Dock</a>		<a href="#">Power Dock</a>		<a href="#">Power Dock</a>	
<a href="#">Forklift Mounting Kit</a>		<a href="#">Forklift Mounting Kit</a>		<a href="#">Forklift Mounting Kit</a>		<a href="#">Forklift Mounting Kit</a>	
T8650 Keyboard Mounts		T1190 Keyboard Mounts		11 Series Keyboard Mounts		T1680 Keyboard Mounts	
<a href="#">Short Arm</a>	<a href="#">Long Arm</a>	<a href="#">Short Arm</a>	<a href="#">Long Arm</a>	<a href="#">Short Arm</a>	<a href="#">Long Arm</a>	<a href="#">Short Arm</a>	<a href="#">Long Arm</a>

Powered docks include an array of ports that allow the connection of a wide range of peripherals, including keyboards, barcode scanners, GPS, printers and popular serial port based devices.

- USB 3.0 (2)
- RS232 Serial Ports (2)  
One port powered on pin 9
- Audio - Speaker & Mic
- Ethernet RJ45 (1)
- Video Graphics Array - VGA (1)
- DisplayPort (1)
- HDMI (1)

### IMPORTANT NOTE:

It is important to protect the cords from damage by zip tying them to forklift near the dock to create strain relief.

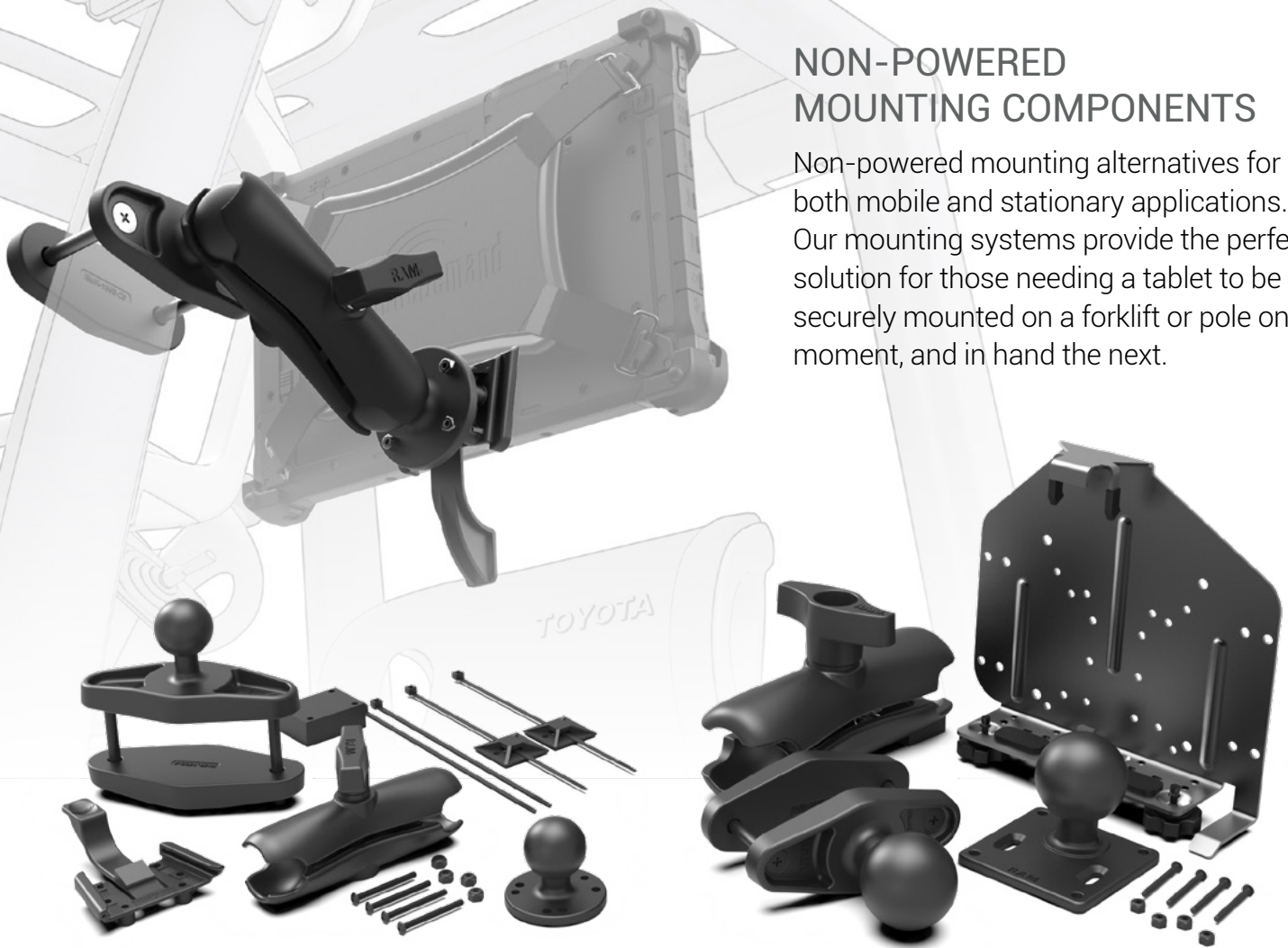
## DIRECT WIRING KITS AVAILABLE

High Voltage Wiring Kit - Most electric powered forklifts require the high voltage direct wiring kit.  
Low Voltage Wiring Kit - Typical gas fueled forklifts require the low voltage direct wiring kit.  
IMPORTANT NOTE: Zip tie power cord to forklift near dock plug to create strain relief.

Contact a MobileDemand associate for the right wiring kit for you.

## NON-POWERED MOUNTING COMPONENTS

Non-powered mounting alternatives for both mobile and stationary applications. Our mounting systems provide the perfect solution for those needing a tablet to be securely mounted on a forklift or pole one moment, and in hand the next.



Forklift Mounting Components for xTablets (excluding T1680)	T1680 Forklift Mounting Components
<a href="#">Forklift Mounting Kit</a>	<a href="#">T1680 Non-Powered Forklift Dock</a>
Non-powered forklift mounting solution for multiple devices. The heavy-duty powder-coated RAM® components with medium size C-ball design is built to support light to medium weight tablets and cases. Quick release snap rail allows ease of mounting and removal.	<a href="#">T1680 Forklift Mounting Kit</a> The combination of T1680's non-powered dock and heavy-duty RAM, D-sized components, provide a sturdy mounting solution to safely carry the additional weight of the rugged T1680 Tablet.

**WIRING KITS**  
Power your tablet directly from the forklift with a variety of wiring kits. Call our sales team today to find the right one for you.

## ALSO AVAILABLE Office docks and battery chargers

For more information contact our sales team today

**Docks, chargers and batteries available for xTablets**

T8650	T1150	T1180	T1270*
T1190	A1150*	A1180	T1680

\*xTablet no longer available for sale



T11 Series Battery Charger and Office Dock



Contact our sales team today | [sales@mobiledemand.com](mailto:sales@mobiledemand.com) | 319.363.4121  
1501 Boyson Square Drive | Suite 101 | Hiawatha, Iowa 52233 | 319.363.4121 | [RuggedTabletPC.com](http://RuggedTabletPC.com)