

PEDAL, MEET METAL.

Introducing our fastest, most adaptive label application system ever. The Predator is built for speed – and accuracy – to boost your throughput and elevate your business. This feature-rich – and all-electric – label automation system is the durable, reliable option for exceptional performance.

A labeling automation solution from Panther Industries will immediately elevate your manufacturing, distribution, and fulfillment processes to realize bottom line benefits through increased throughput, reduced expenses, and decreased waste/loss.

KEY FEATURES

- 100% electric servo drive (no compressed air)
- High speed applicator – up to 200 IPS
- *Adaptive Touch* technology provides light touch during the label application process
- Adaptive applicator automatically adjusts to carton height, ensuring accurate and consistent label placement
- Label application distances up to 58"
- Remote-mounted 7" touch screen display
- OEM print engine design for off-the-shelf replacement
- Error reporting for fast, efficient troubleshooting

We design and manufacture every print and apply system for durability and performance, incorporating the following into every Predator:

Technical Innovation

Faster and adaptive – more throughput with greater consistency.

Unmatched Construction

1/2" aircraft aluminum main plate and nickel-plated fittings.

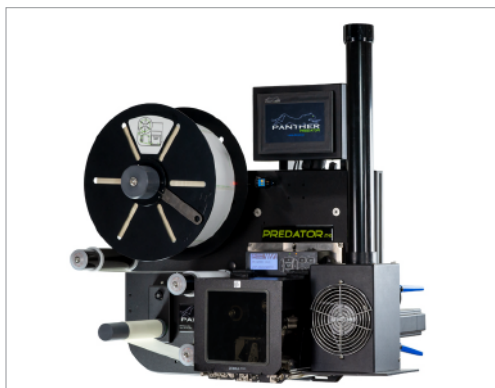
Simplified Maintenance

Off-the-shelf replacement parts for efficient serviceability.

Trusted Partner

24/7/365 email and telephone support throughout the system's life.

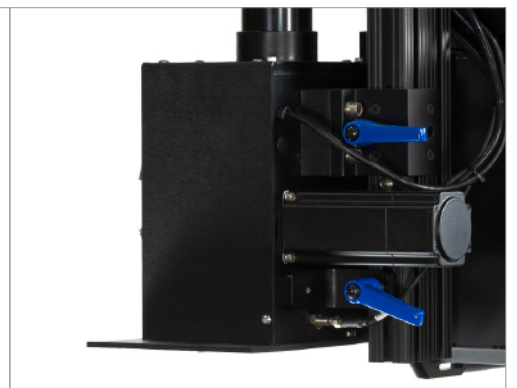
Contact a Panther sales representative at **800-530-6018** or **sales@print-n-apply.com** to learn how the Predator can increase your company's throughput.



100% ELECTRIC (NO COMPRESSED AIR)



REMOTE-MOUNTED 7" TOUCH SCREEN DISPLAY,
LOW LABEL SENSOR, AND VARIOUS
OEM PRINT ENGINE OPTIONS



APPLICATOR ASSEMBLY IS ADJUSTABLE, ALLOWING
FOR EASY AND EFFICIENT MAINTENANCE

FEATURES

Controls

- 52 I/O point PLC – w/ expandable slices
- Quick change electrical connections with no hardwiring
- Built-in Ethernet I/P or Modbus TCP protocols for direct communication with remote host
- Lighted indicators for immediate feedback
- Error log for efficient troubleshooting
- Position sensor ensures applicator is home prior to printing a label
- EPC Gen 2 RFID (available with RFID print engine upgrade)
- Low label sensor
- Low ribbon detection

Applicator Options

Completely modular system with multiple configurations:

- Tamp (up to 58" of stroke)
- Swing Arm

Additional Features

- 100% electric servo drive (no compressed air)
- High speed applicator – up to 200 IPS
- Adaptive Touch technology provides light touch during label application process
- Adaptive applicator automatically adjusts to carton height – without sensors – ensuring accurate and consistent label placement
- Reliable waste takeup system with quick-change "O" ring belt drive
- Adjustable applicator assembly for easy maintenance
- Remote-mounted 7" touch screen display
- Printer interface via HMI
- Product detect photo eye
- OEM print engine design for off-the-shelf replacement
- Simple and efficient label and ribbon loading
- LED indicators on all devices
- Adjustable T-base stand
- Multiple mounting options
- One-year warranty

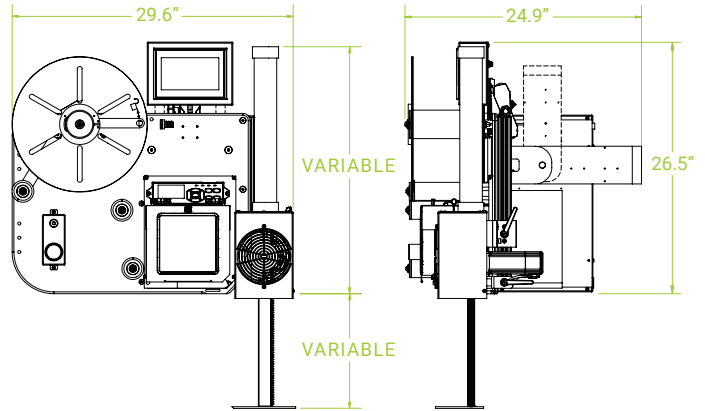
Customized Options

- 80/20 overhead mounting bracket
- 12 – 24 inch stand height extension
- EPC Gen 2 (900MHz) compliant RFID capability
- Ethernet hub/switch for single point RJ-45 connection

SPECIFICATIONS

Dimensions

29.6" (w) x 26.5" (h) x 24.9" (d)



Hardware

Main Plate: 1/2" aircraft aluminum
Fasteners: Nickel-plated and corrosion-resistant
M12 sensor connections

Electrical

Input: 115VAC @ 5.0 amps 50/60Hz single phase
Output: 24VDC @ 0.6 amps
Includes 10' power cord

Print Engine

Print Engines: Zebra, SATO, or Honeywell
Print Method: Thermal Transfer or Direct Thermal
Print Width: 6.6" maximum | 0.5" minimum
Print Length: 14" maximum
Print Resolution: 203, 300, or 600* DPI
Media Supply: 14" OD on 3" core
Communication: Serial, Parallel, E-Net, Wireless E-Net, USB

* 600 DPI not available for all print engine manufacturers

Applicator

Placement Accuracy: Within 0.025" w/ consistent product
Within 0.010" w/ stationery product
Maximum Reach: Up to 58" (tamp system)
Up to 18" (swing arm system)