



Drive-in Racks

## Intelligent storage solutions

Supply chains must function efficiently. Whether handling pallets of fruit, containers of hazardous materials, racks of clothing or boxes of nails; products still need to be handled in a safe and efficient manner. Personnel must also be able to work safely and effectively too. Our storage systems live up to expectations and allow you to run your business smoothly and successfully.





### **Forty years of expertise**

NEDCON has been a worldwide leader in storage systems for more than forty years. And as result, we possess a great deal of specialized knowledge. This knowledge we use to continuously improve our systems and would like to share this knowledge with you.

### **Always a complete solution**

Warehouses that run smoothly must be efficient, safe and user-friendly. And that is where we are able to help you. We offer you a smart standard range of products that provides you with a solution for all of your storage requirements and challenges. Of course, our systems also guarantee the utmost in quality and safety.

### **International player**

NEDCON is an independent company that has been part of the international steel group **voestalpine** since 2004. We are based in Doetinchem and our production activities take place in Pardubice (Czech Republic). In addition, we also have divisions in various European countries as well as in the United States. Our products are also sold via a dealer network.



## Drive-in Racks

The NEDCON drive-in racks are characterized by the modular design (and the wide range of profiles) with which a solution can be provided for all storage issues involving pallets.

Structural design is based on the European rack industry recommendation FEM 10.2.07, together with applicable national design and safety standards. NEDCON took a leading role in preparation of this recommendation and also utilised its expert knowledge in preparation of corresponding advanced 3D design software. All load-bearing components are laboratory tested, which allows optimum design without compromising operation safety.

The Nedcon drive-in racks are delivered as standard in the colour RAL 5019 (Capri blue) for the frames and RAL 2008 (red orange) for the beams, but other colours and galvanized frames are also available. Contrary to conventional pallet racking, NEDCON drive-in racks are suitable for the compact storage of large quantities of similar products in channels. The maximum space utilisation resulting from just a few aisles is especially valuable in cold-store or freezer warehouses. NEDCON offers drive-in racks accessible from either one or both channel ends as well as drive-through racks.

With upright widths up to 140 mm, high capacity pallet support rails and unique high strength top beam-end connectors, NEDCON is able to construct very tall and rigid racks thus creating a sound basis for a safe and fast warehouse operation.

In short, if you entrust NEDCON with the storage of your pallets you will never be disappointed.

## NEDCON makes a difference

Our product is well-established in the market, which can be shown by countless realizations with virtually no complaints. NEDCON offers the largest range of uprights and beams in the business, which allows us to always find an optimum solution for you. NEDCON is known for the best performing beam-to-upright connectors allowing us to build rigid racks without bracing even in the most difficult conditions. The surfaces of main components are epoxy-coated, which ensures protection of the highest quality.





### **Back-stop**

To ensure safe operation, diagonals of spine bracing must be protected in all situations from any contact with pallets during their storage or retrieval. NEDCON therefore fits ends of all channels with sturdy back-stops. The back-stop also gives guidance for easier and faster positioning of pallets.



### **Upright protection and floor guidance**

Simple and trouble-free daily use of NEDCON drive-in racks is further guaranteed at the floor level by robust upright base protectors and integrated lane guidance profiles.

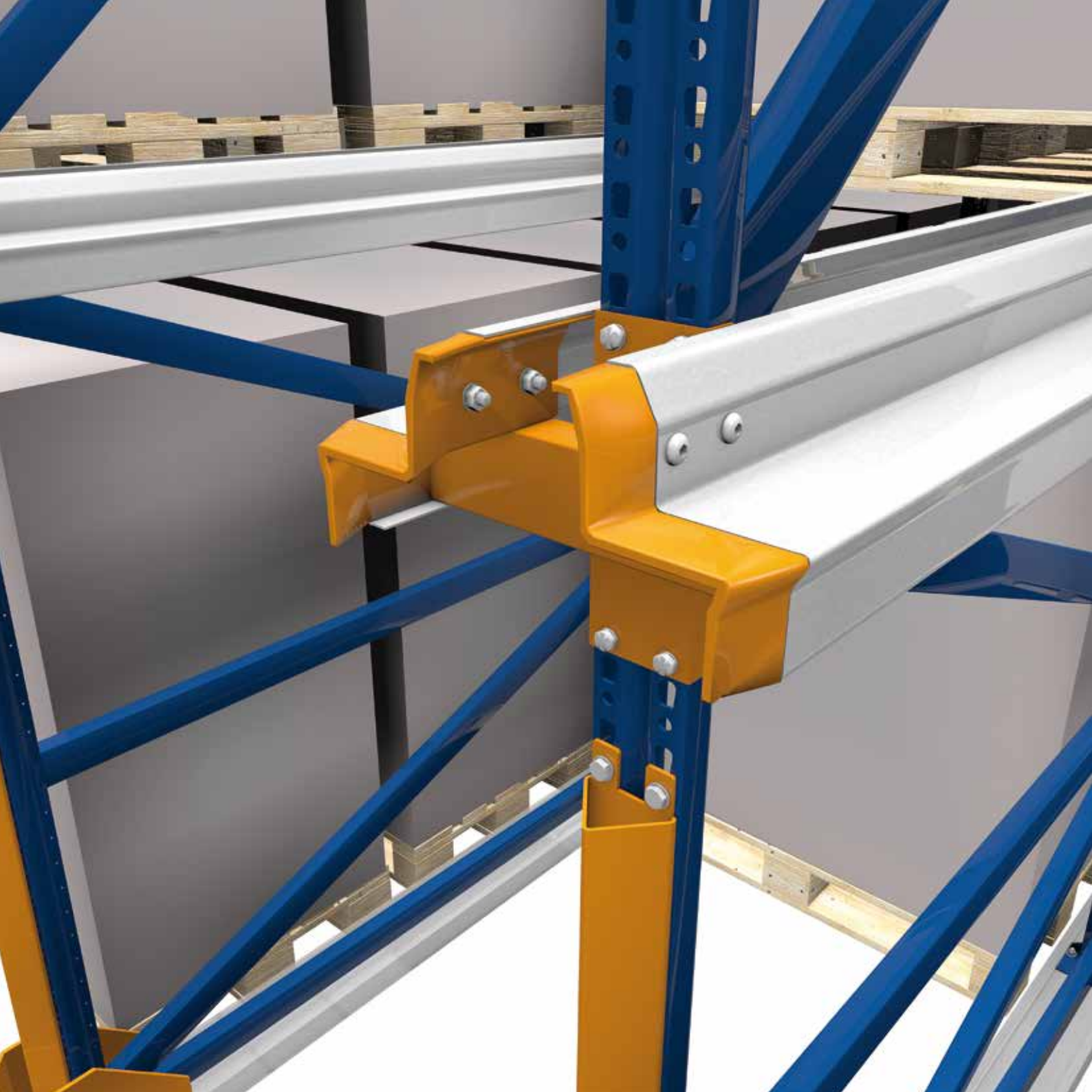


**Beam rail and entry guidance**

The special shape of the NEDCON pallet support rail, developed in an extensive research and testing programme, provides rigid support in both vertical and horizontal directions during the depositing of pallets even when this involves the longest spans. In order to reliably transfer the resulting loads from the rail to the uprights NEDCON uses a bolted connection; utilising 4 high-strength bolts. Such a connection is significantly stronger than any bolt-less connection into the upright perforation.

Easy operation when entering the channels is ensured by solid, cast-iron entry guides, which are seamlessly connected to the beam rail.

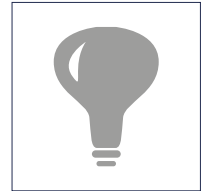




# Intelligent solutions for all warehouses

## **We supply not just a Product, but a Solution**

When solving your storage problem we apply a personal approach. You will be given competent advice by industry professionals. You can choose whether you prefer a smart standard solution available directly from stock or a fully customized solution.



## **We minimize Costs over a Lifetime**

We think together with you and minimize your total costs of running a storage facility. Be it a design of optimum rack protection or advice on configurations ensuring maximum throughput through the warehouse, we have your total costs on our mind.



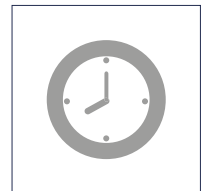
## **We consistently deliver what we promise**

NEDCON is known as a trustworthy partner. Despite the circumstances we make things happen and we always deliver what we promise.



## **Quick Response Times**

Standard solutions are prepared within days.



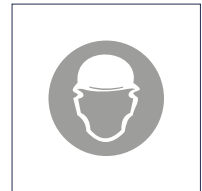
### **Extensive Expertise of NEDCON Team**

We are the people who were able to build in the past four decades the most complex systems in the business. We understand the storage industry and we are here should you be in need.



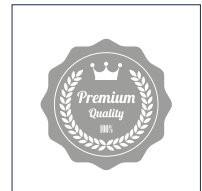
### **Unconditional Approach to Safety**

The unconditional approach to safety forms the basic building stone in 100% of our designs! All our components are laboratory tested to the latest standards. NEDCON for decades has been the leader in the development of European industry regulations.



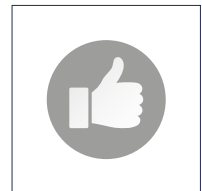
### **First-class Product**

Our products are well-established in the market and have been used in countless realizations all over the world. NEDCON clients often comment positively on the premium quality and reliability of our systems.



### **User friendliness**

Warehouses equipped with NEDCON products are easily maintained and damaged parts are simply replaced if necessary. Over time should your storage solution require a modification or an extension, our flexible systems and experienced teams are prepared to satisfy your needs.



## Certified and safe

We are fully certified for your safety. We possess the following certificates:

- ISO 9001
- ISO 14001
- EN 1090
- DIN 18800-7 version E





## Offices

### The Netherlands

NEDCON Magazijnrichting B.V.  
Nijverheidsweg 26  
7005 BJ Doetinchem  
P.O. BOX 35  
NL-7000 AA Doetinchem  
T +31 314 334455  
E [info@nedcon.com](mailto:info@nedcon.com)

### Germany

NEDCON Lagertechnik GmbH  
Dinxperloer Straße 18-20  
46399 Bocholt  
T +49 2871 47 89  
E [sales.d@nedcon.com](mailto:sales.d@nedcon.com)

### USA

NEDCON USA Inc.  
10053 Simonson Road, Suite 1  
Harrison OH 45030  
T +1 513 367 2656  
E [sales.usa@nedcon.com](mailto:sales.usa@nedcon.com)

### France

NEDCON France SAS  
Immeuble Saphir  
5, Rue du Parc  
67205 Oberhausbergen  
T +33 3 88 560 555  
E [sales.fr@nedcon.com](mailto:sales.fr@nedcon.com)

### Czech Republic

NEDCON Bohemia, s.r.o.  
Holandská 34  
53301 Pardubice  
T +420 467 002 111  
E [info.cz@nedcon.com](mailto:info.cz@nedcon.com)

### Belgium (Sales)

NV NEDCON S.A.  
Diamantstraat 6  
2200 Herentals  
T +32 14 24 19 80  
E [sales.b@nedcon.com](mailto:sales.b@nedcon.com)

### Poland (Sales)

NEDCON Silesia SP. z.o.o.  
Ul. w. Antoniego 15  
55-073 Wrocław  
T +48 71 7804271  
E [sales@nedcon.pl](mailto:sales@nedcon.pl)

## Notes





# NEDCON



Do you want to  
see more? Scan this  
QR-code with your  
Smartphone

