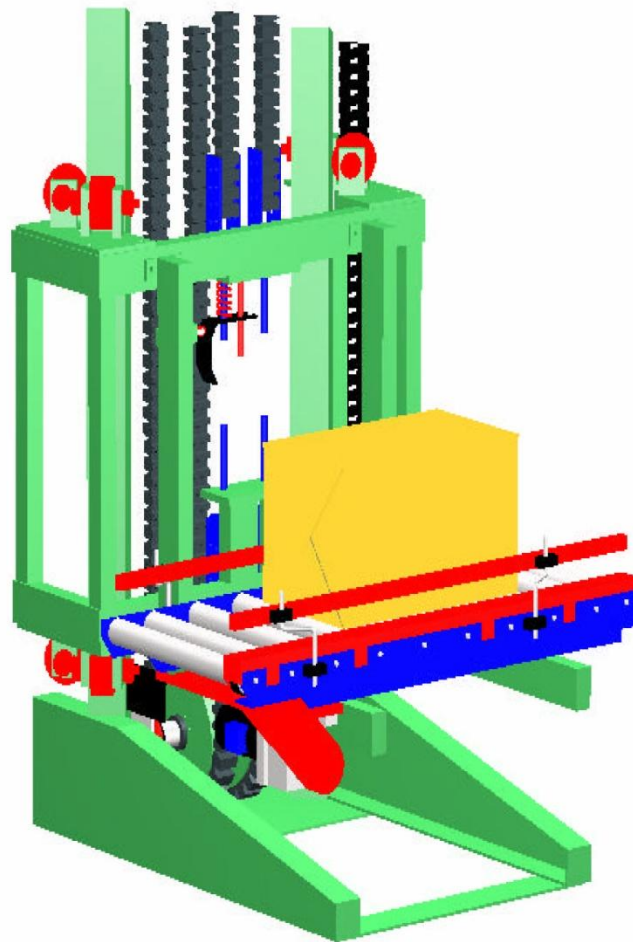


NERAK RECIPROCATING CONVEYORS

SERIES UP TO 200 KG PAYLOAD



NERAK
SYSTEMS

THE EXPERTS IN VERTICAL CONVEYING

PRINCIPLE

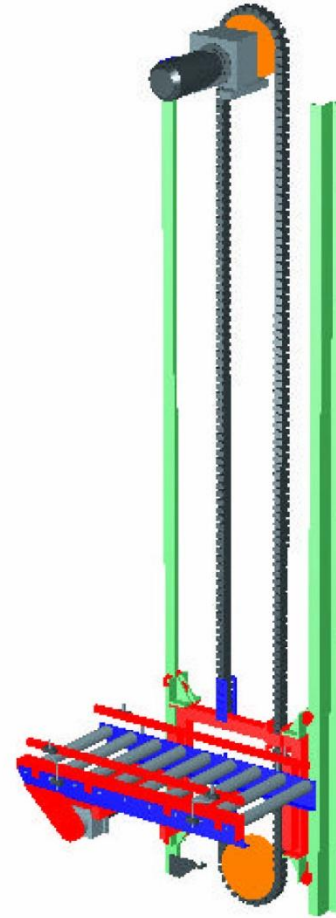
NERAK is the expert in vertical conveying where packaged goods are concerned. Whether you need to transport tinned foods, parcels, sacks, barrels or loaded Euro pallets, you can rely on NERAK to provide a high-quality and cost-efficient solution.

While the classic S-shaped conveyor is suitable for greater capacities, NERAK can also offer a reciprocating conveyor for smaller capacities. This type of conveyor is available in a number of designs and is used to transport material between two or more levels with individual payloads of up to 1.5 t.

The NERAK reciprocating elevators described here have been designed for individual loads of up to 200 kg. A lifting carriage suspended on one or two parallel NERAK rubber block chains, depending on the carrying load, is moved up and down guide profiles by means of Vulkollan rollers, stopping at any number of stations as required. Lifting is performed by a geared brake motor that may be frequency-controlled depending on the particular application. The hoist system operates without a counterweight. The lifting carriage can be fitted with any type of horizontal conveyor such as a roller conveyor or belt conveyor.

The proximity switches provided are adjustably mounted on C-shaped profiles.

Wiring to the terminal strip is available as an option. The electrical components on the lifting carriage are supplied with power by means of a flexible cable.



DRIVE SYSTEM

At the heart of every NERAK conveyor drive system is the heavy-duty rubber block chain.

The outstanding features of this chain are that it has no links, is silent-running, wear-resistant and maintenance free, all excellent qualities further enhanced by its corrosion-free design.



Thanks to the silent operation of the rubber block chain, there is no noise annoyance at the workstations in the immediate vicinity of the conveyor.

Moreover, operation with the rubber block chain is extremely cost-effective as there is no need for lubrication, regular adjustment and re-tensioning. Maintenance costs are thus reduced to a minimum.

The rubber block chain is available in a number of rubber compounds to suit every application. Where oily environments are concerned, preference is given to the abrasive-resistant SBR compounds or neoprene. The rubber block chain gets its high tensile strength from embedded vulcanized steel cables.

DESIGNS



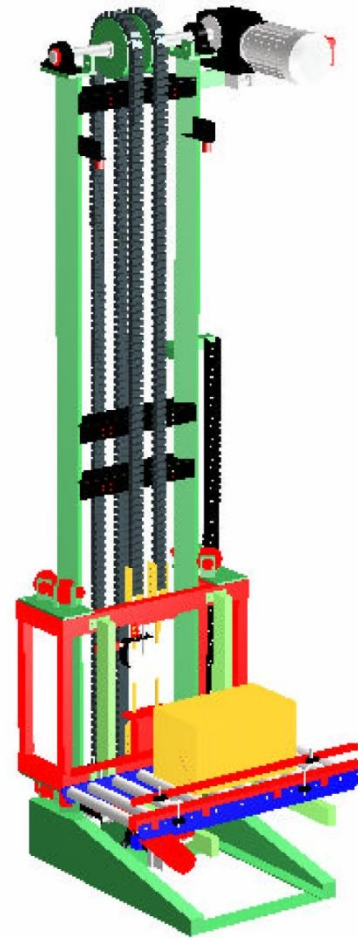
Type: KH253/33/50-AI
For individual loads up to 80 kg

This type of conveyor has a supporting frame made from aluminium profiles that accommodate the guide rails, the protective cladding as well as the drive and idler units.

2 vertical tracks of welded steel profiles are screwed on the inner side. These tracks guide the lifting carriage and are also used to secure the limit buffers.

The frame stands on 4 corner posts fitted with base feet with holes for mounting. For heights up to 3 m, the frame is only dowelled to the floor. For heights greater than this, the frame has to be secured to suitable ceilings or walls.

The protective cladding of perforated aluminium sheets is bolted onto the aluminium profiles.

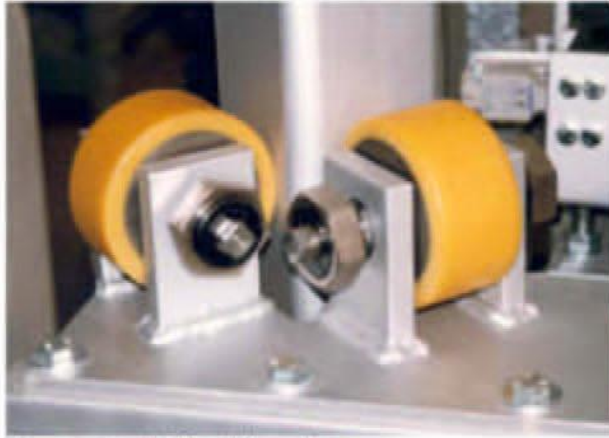


Type: KH253/33/50-St
for individual loads up to 200 kg

With this type, the platform carriage is lifted by means of vulkollan bandaged guide rollers on two vertical columns of square steel profiles. The lifting columns together with a large base foot, cross bars and connection points for the drive and idler unit, form a sturdy welded frame that only has to be dowelled to the floor up to heights of 2500 mm. For greater heights, vertical brackets are required in addition. If desired, the frame can also be supplied in stainless steel.

A separate frame made from aluminium profiles is available as standard with cladding of aluminium or steel perforated sheets.

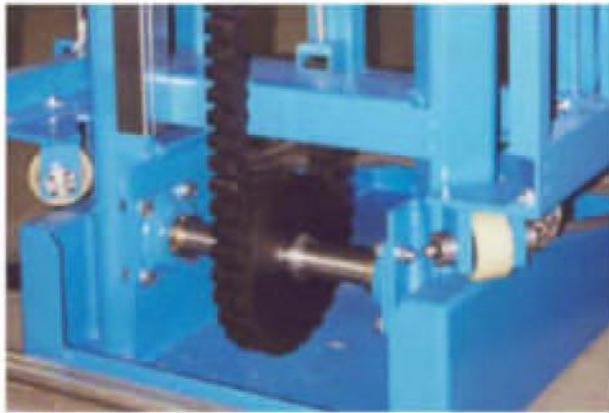
TECHNICAL DETAILS



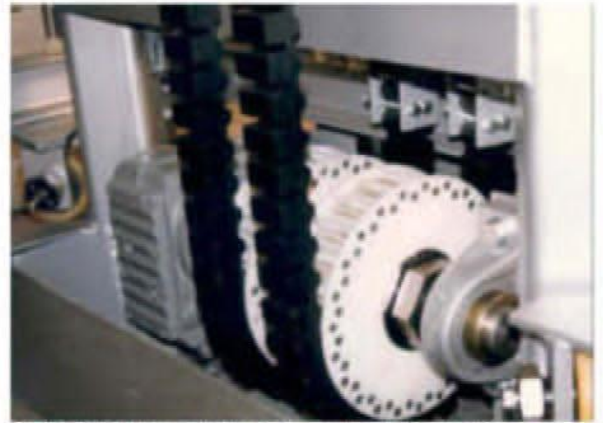
Arrangement of guide rollers



Lifting carriage with mounted belt conveyor



Bottom idler unit



Special design with drive unit at the bottom

Conveyor type	max. carrying load	min. feeding height	Hub-höhe	max. Hub-geschwindigkeit	Hubelement	Spiel/h	Antriebslage	
							oben	unten
KH253/33/50-AI	80 Kg	350 mm	variabel	1mvs	1-fach Gummiblockkette	ca. 200	Standard	Sonderausführung
KH253/33/50-St	200 Kg	350 mm	variabel	1mvs	2-fach Gummiblockkette	ca. 200	Standard	Sonderausführung

Other brochures available for NERAK products:

- S-shaped conveyors
- Heavy-duty S-shaped conveyors
- Circulating conveyors
- Vertical lift units
- Circulating fork conveyors
- Heavy-duty reciprocating conveyors

Beispiel für Zykluszeit: Hub=3,0 m; v=1,0 m/s; a=0,5 m/s²
Einkaststrecke=1,0 m; v=0,3 m/s

Durchsatz: 196 Spiele/h

