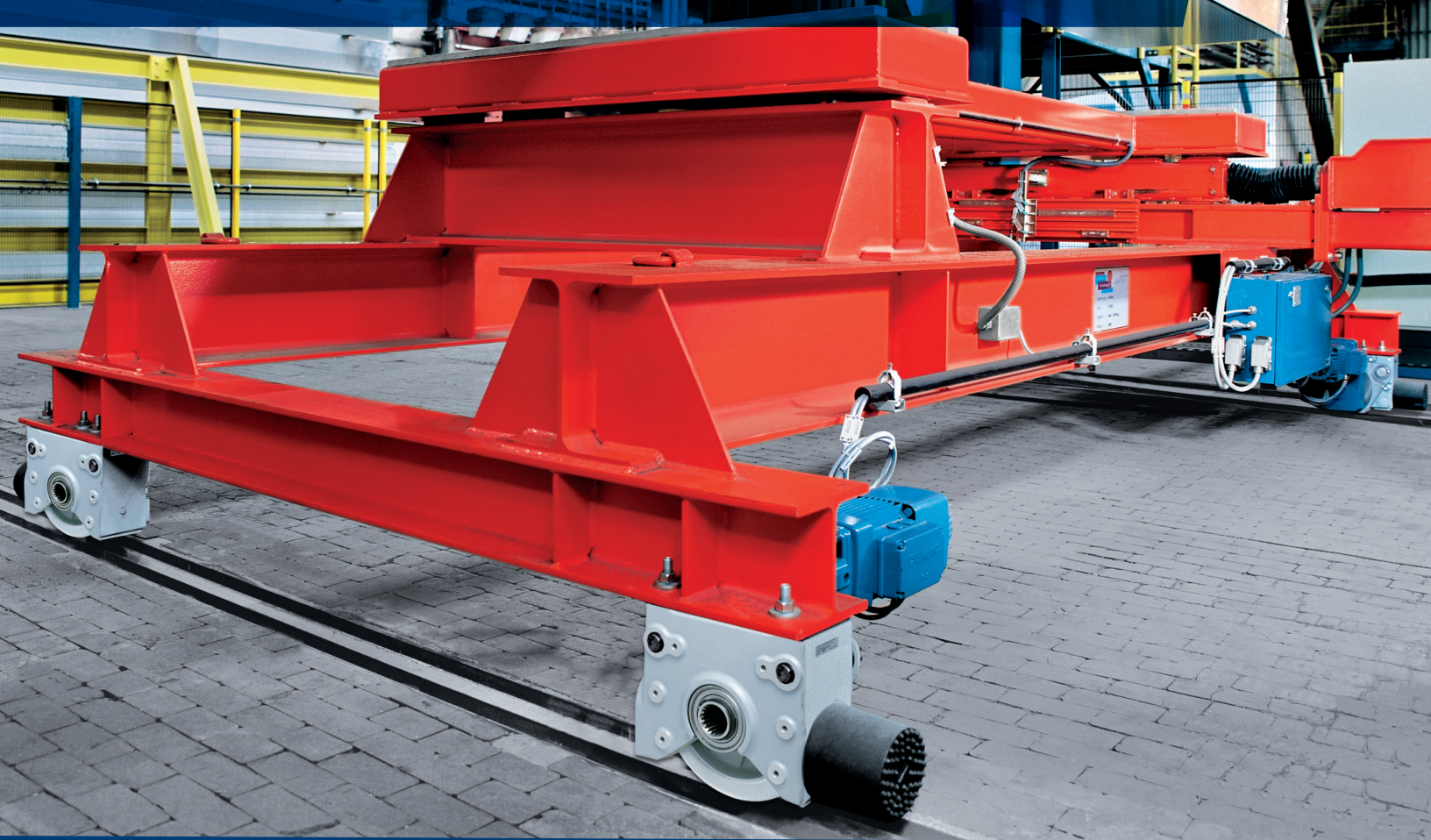
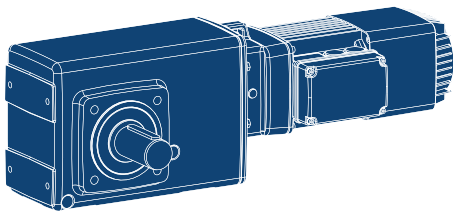


Complete Travel Solutions



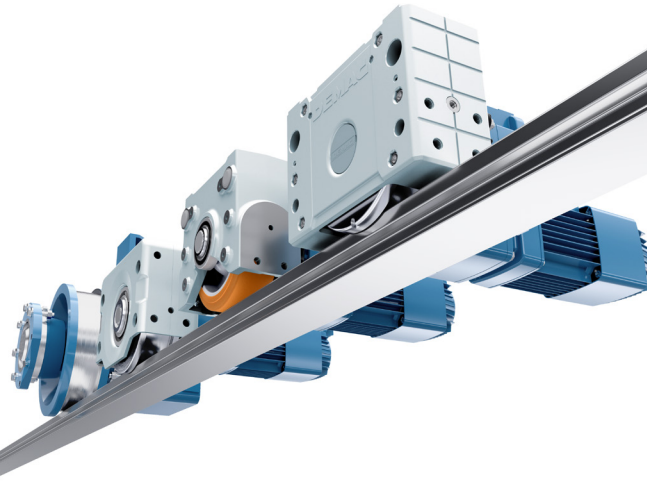
Demag Drive Solutions



DEMAG

The Comprehensive Solution

Wheel Solutions Unilateral Motion

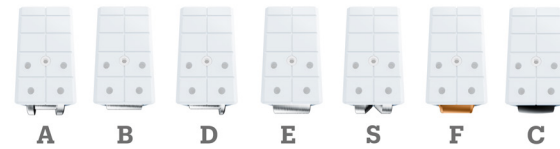


Standard wheels stocked locally in Ohio for quick delivery in the US and Canada.

- 4 different wheel models to meet capacity requirements
- Assembly includes wheel, bearings, and wheel housing
- Easily add a Demag motor and gearbox to power your application

Wheel Block System Quick Facts

DRS-M & DRS Wheel Block Systems	LRS Wheel Block Systems	RS Wheel Block Systems	DWS Wheel Sets
Capacity: up to 88,000 lbs. per wheel 7 standard wheels	Cost effective for low weight applications; High speed	Effective in harsh & high temperature environments	Capacity: up to 132,000 lbs per wheel



AC Induction Motors Power Your Application



Motor Quick Facts

- AC brake motor models to meet precise positioning requirements, duty factor, operating environment, and other factors
- Ideal for intermittent motion with frequent starts and stops
- Available in voltages to meet your regional requirements
- Conical rotor or cylindrical rotor motor options
- Seamless integration with our other Drives products

Z Motors | Cylindrical Rotor Motors

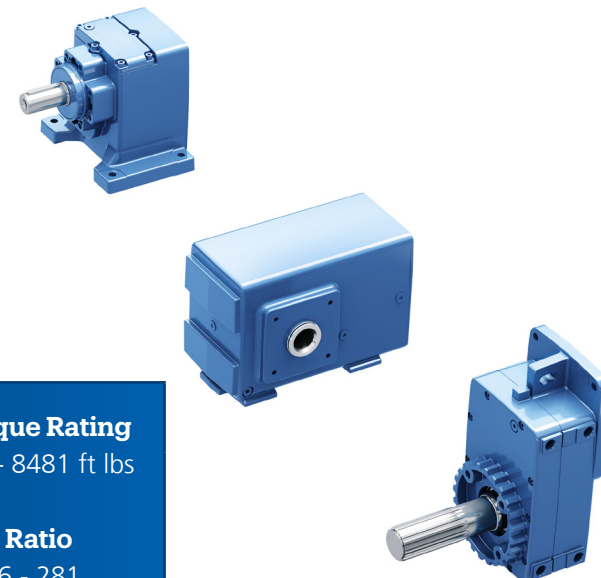
- Optimized for VFD applications
- Electrical spring-loaded brake
- Optimized integration for Direct-Drive
- External add-on brake
- Inverter control
- Up to 70 horsepower

KB Motors | Conical Rotor Motors

- Extremely reliable functionality
- High cycling frequency
- High braking frequency
- Mechanical, integrated brake
- Contactor or inverter control
- Up to 67 horsepower

Gearboxes

Linear Speed Translated



In-Line | D Style

- Most common industrial gearbox
- High radial force tolerances

Torque Rating
65 - 558 ft lbs

Ratio
2 - 251

Right Angle | W Style

- Ideal for narrow & compact applications
- Hypoid wheel gear for quiet operation

Torque Rating
85 - 8850 ft lbs

Ratio
5 - 369

Offset | A Style

- Large ground clearance
- Highly efficient helical gears
- Large range of output shaft options

Torque Rating
118 - 8481 ft lbs

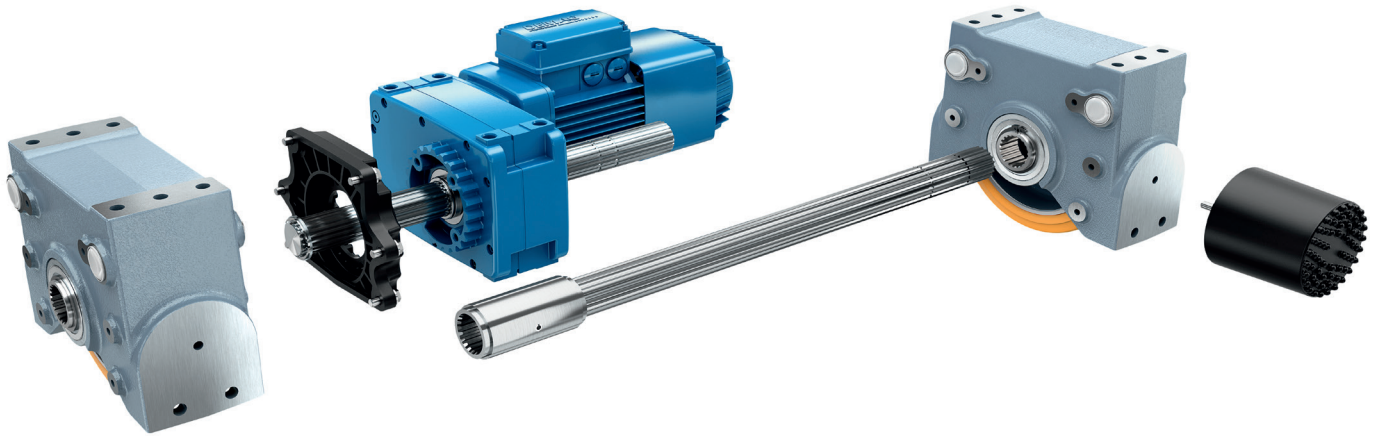
Ratio
6 - 281

Complete Drive Solutions Seamless Integration



Demag Drive Technology is engineered and designed to work together.

- Modular components to mix and match to meet your requirements
- Power rail for straight and curved requirements
- Pre-engineered for compatibility, a perfect fit every time.
- One manufacturer for the entire system



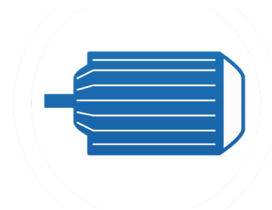
Complete Drive Solutions

Engineered for Compatibility | Focused on Precise Positioning

Modular components to move material handling solutions. Complete solutions designed for compatibility and optimized maintenance so you can focus on your business. Complete drive technology for precise positioning in applications like transfer cars, AS/RS, industrial tippers, architectural door and roof motion, and so many others.



Assembly solution includes wheel, bearings, and housing with 4 different wheel models to meet capacity requirements.



Conical rotor and cylindrical rotor AC induction motors, meeting even the most extreme requirements. Matched with our full line of gearbox solutions to translate RPM to your requirements.

DEMAG CRANES & COMPONENTS CORP.

6675 Parkland Blvd., Suite 200

Solon, Ohio 44139

E demaginfo.us@demagcranes.com

T 440-248-2400

DemagCranes.us

DEMAG