



Innovative Solutions To Lift Productivity



Autoquip
Innovative Lift Solutions

www.Autoquip.com

STANDARD PRODUCTS

HYDRAULIC LIFTS



**SERIES 35
SCISSOR LIFT TABLE**

Travel up to 60"
Capacities up to 15,000 lbs.



**SERIES 35 EXTRA NARROW
SCISSOR LIFT TABLE**

Travel up to 60"
Capacities up to 6,000 lbs.



**SERIES 35 ROVER MOBILE
SCISSOR LIFT TABLE**

Travel up to 48"
Capacities up to 6,000 lbs.



**XLR PAN
SCISSOR LIFT TABLE**

Travel up to 48"
Capacities up to 4,000 lbs.



**COIL
TRANSFER CAR**

Custom Travel and
Capacities Available



**QUAD
SCISSOR LIFT TABLE**

Travel up to 72"
Capacities up to 150,000 lbs.



**CAROUSEL
WORK PLATFORM**

Travel up to 96"
Capacities up to 2,000 lbs.



VERTICAL RAM LIFT

Custom Travel and
Capacities Available

TILTERS & TURNTABLES



TILTER

Tilt up to 90°
Capacities up to 6,000 lbs.
(Stand-alone or Lift-mount)



**90° ROTATOR
NON-INTRUSIVE**

Custom Travel and
Capacities Available



MANUAL TURNTABLE

Standard/Custom Sizes
and Capacities Available
(Stand-alone or Lift-mount)



90° TILTER

Custom Angle and
Capacities Available
(Stand-alone or Lift-mount)



**TITAN
SCISSOR LIFT TABLE**

Travel up to 84"
Capacities up to 15,000 lbs.



**SUPER TITAN
SCISSOR LIFT TABLE**

Travel up to 120"
Capacities up to 85,000 lbs.



**DOUBLE LONG
SCISSOR LIFT TABLE**

Travel up to 60"
Capacities up to 24,000 lbs.



**DOUBLE WIDE
SCISSOR LIFT TABLE**

Travel up to 60"
Capacities up to 24,000 lbs.



BULLET LIFT

Custom Travel and
Capacities Available



COMPACT LIFT

Travel up to 84"
Capacities up to 12,000 lbs.

 American Lifts®



**TORK LIFT
SCISSOR LIFT TABLE**

Travel up to 60"
Capacities up to 30,000 lbs.

 American Lifts®



POWERED TURNTABLE

Standard/Custom Sizes and
Capacities Available



**TILT LIFT
SCISSOR LIFT TABLE**

Travel up to 25"
Capacities up to 6,000 lbs.

 American Lifts®



TORK NON-INTRUSIVE TILTER

Tilt up to 45°
Capacities up to 6,000 lbs.

 American Lifts®

STANDARD PRODUCTS

HIGH TRAVEL LIFTS



DOUBLE PANTOGRAPH SCISSOR LIFT TABLE

Travel up to 96"
Capacities up to 6,000 lbs.



Q LIFT SCISSOR LIFT TABLE

Travel up to 74"
Capacities up to 5,000 lbs.



SERIES 35 DOUBLE HIGH SCISSOR LIFT TABLE

Travel up to 120"
Capacities up to 7,000 lbs.



SERIES 35 TRIPLE SCISSOR LIFT TABLE

Travel up to 180"
Capacities up to 6,000 lbs.



TORKLIFT T2 DOUBLE PANTOGRAPH SCISSOR LIFT

Travel up to 144"
Capacities up to 10,000 lbs.

 American Lifts



TORKLIFT T3 TRIPLE PANTOGRAPH SCISSOR LIFT

Travel up to 144"
Capacities up to 6,000 lbs.

 American Lifts



TORKLIFT T4

Custom Travel and
Capacities up to 6,000 lbs.

 American Lifts

MECHANICAL LIFTS



STACKING CHAIN SCISSOR LIFT TABLE

Custom Travel and
Capacities Available



VERTICAL BALL SCREW SCISSOR LIFT TABLE

Custom Travel and
Capacities Available

DOCK LIFTS



PLTC

Travel up to 60"
Capacities up to 15,000 lbs.



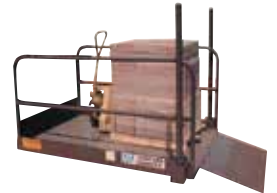
CMD

Travel up to 50"
Capacities up to 4,000 lbs.



PDQ

Travel up to 55.5"
Capacities up to 6,000 lbs.



PLD

Travel up to 55.5"
Capacities up to 5,000 lbs.



TSL

Travel up to 60"
Capacities up to 20,000 lbs.



BASCULE BRIDGE

Custom designed to
fit any application.



TRUCK LEVELERS

Travel up to 36"
Capacities up to 60,000 lbs.

PNEUMATIC LIFTS



AIR FORCE SCISSOR LIFT TABLE

Travel up to 24"
Capacities up to 5,000 lbs.



AIR FORCE LIFT & TILT

Travel up to 24"
Tilts up to 30°
Capacities up to 3,000 lbs.



XLR PAN AIR SCISSOR LIFT TABLE

Travel up to 48"
Capacities up to 3,000 lbs.

STANDARD PRODUCTS

VERTICAL RECIPROCATING CONVEYORS



HYDRAULIC FREIGHTLITE VRC

Travel up to 15'
Capacities up to 3,000 lbs.
Platforms up to 6' x 6'



HYDRAULIC CANTILEVER VRC

Travel up to 28'
Capacities up to 6,000 lbs.
Platforms up to 8' x 6'



HYDRAULIC STRADDLE VRC

Travel up to 28'
Capacities up to 6,000 lbs.
Platforms up to 8' x 10'



MECHANICAL CANTILEVER VRC

Travel up to 100'
Capacities up to 6,000 lbs.
Platforms up to 8' x 8'



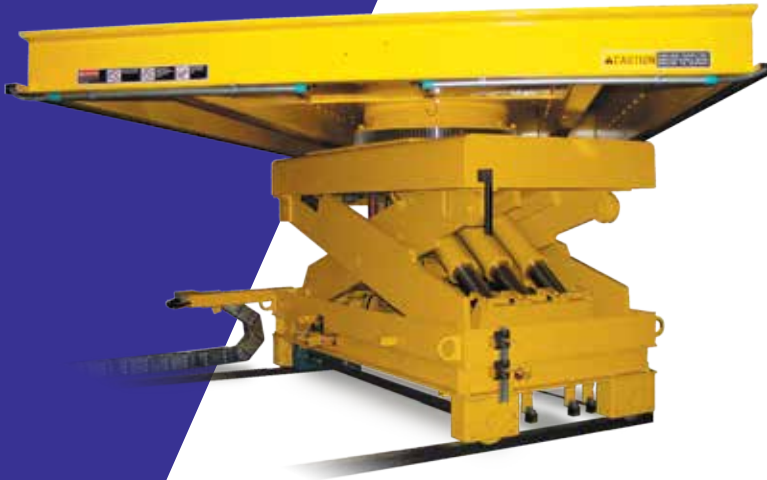
MECHANICAL STRADDLE VRC

Travel up to 100'
Capacities up to 6,000 lbs.
Platforms up to 10' x 12'



MECHANICAL 4 POST VRC

Travel up to 100'
Capacities up to 30,000 lbs.
Platforms up to 12' x 15'



Material Handling Products Designed To Address Your Specialized Application.

Autoquip has created thousands of special products to satisfy custom requirements. If you have a unique application, Autoquip can create a custom solution to maximize productivity.

Autoquip Has Developed Custom Solutions For A Variety Of Industries

Aerospace

Automotive/Trucking/Rail

Defense/Military

Entertainment

Retail

Food & Pharmaceutical

Woodworking

Printing & Paper

Metalworking

Modular Home

Heavy Equipment

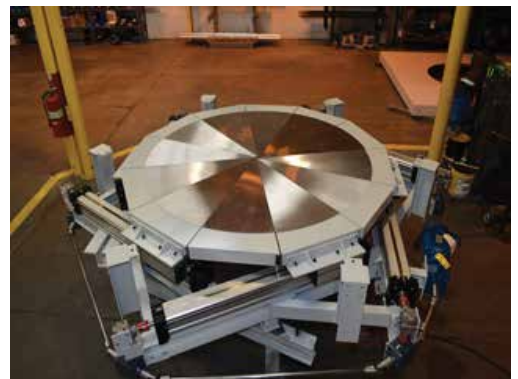
Logistics

Agriculture

Veterinarian

Energy/Oil

Auto Dealers & Repair





From simple, reliable standard products to complex custom solutions for specific applications, Autoquip's innovative lift technologies are up to the challenge.



www.Autoquip.com Toll Free 888-811-9876 Phone 405-282-5200