

**NORTH AMERICA****USA**

packaging.us@storopack.com  
www.storopack.us

**Cincinnati**

Head Office  
4758 Devitt Drive  
Cincinnati, Ohio 45246  
Phone +1 513 874 0314  
Fax +1 513 874 2955

**Cincinnati**

4663 Dues Drive  
Cincinnati, Ohio 45246  
Phone +1 513 860 1804  
Fax +1 513 860 4082

**Atlanta**

6140A Duquesne Drive  
Atlanta, Georgia 30336  
Phone +1 404 344 6451  
Fax +1 404 344 4734

**Boston**

125 Flanders Road  
Westboro, Massachusetts 01581  
Phone +1 508 366 1249  
Fax +1 508 366 9539

**Chicago**

320 Craig Place  
Hillside, Illinois 60162  
Phone +1 708 547 8030  
Fax +1 708 547 8096

**Cleveland**

3135 Berea Road  
Cleveland, Ohio 44111  
Phone +1 216 941 7225  
Fax +1 216 251 4744

**Dallas**

5050 Duncanville Road  
Dallas, Texas 75236  
Phone +1 972 296 9535  
Fax +1 972 296 9843

**Edison**

87 Sunfield Avenue  
Raritan Center  
Edison, NJ 08837  
Phone +1 732 560 1489  
Fax +1 732 560 1494

**Los Angeles**

12007 S.Woodruff Avenue  
Downey, California 90241  
Phone +1 562 803 5582  
Fax +1 562 803 4462

**Memphis**

4290 Delp Street  
Memphis, Tennessee 38118  
Phone +1 901 367 8053  
Fax +1 901 367 8055

**Miami**

11825 N.W.100th Road,  
Suite 4  
Medley, Florida 33178  
Phone +1 305 805 9696  
Fax +1 305 805 9697

**Minneapolis**

12873 Industrial Park Blvd  
Plymouth, MN 55441  
Phone +1 763 542 8351  
Fax +1 763 542 3147

**Opa-Locka**

2390 NW 149th Street  
Opa-Loka, Florida 33054  
Phone +1 305-685-1773  
Fax +1 305-685-2345

**Phoenix**

77 North 45th Avenue  
Phoenix, Arizona 85043  
Phone +1 602 484 0831  
Fax +1 602 278 1011

**San Jose**

2210 Junction Avenue  
San Jose, California 95131  
Phone +1 408 435 1537  
Fax +1 408 922 0316

**Seattle**

20418 87th Avenue South  
Kent, Washington 98031  
Phone +1 253 872 6844  
Fax +1 253 872 5722

**Tampa**

4724-38 Transport Drive  
Tampa, Florida 33605  
Phone +1 813 247 4226  
Fax +1 813 247 3677

**Tampa**

3602 South 78th Street  
Tampa, Florida 33619  
Phone +1 813-626-8684  
Fax +1 813-623-5488

**Winston-Salem**

2598 G Empire Drive  
Winston-Salem, North Carolina  
27103  
Phone +1 336 765 7767  
Fax +1 336 760 4426

**CANADA**

packaging.us@storopack.com  
www.storopack.ca

**Toronto**

10 Woodslea Road, Unit 2  
Brampton, ONT L6T 5P2  
Phone +1 905 792 9567  
Fax +1 905 792 8737

**SOUTH AMERICA****BRAZIL**

www.storopack.com.br

**São Paulo**

Rua Tianguá, 135  
Cep 04363-100 São Paulo  
Phone +55 11 5677 4699  
Fax +55 11 5677 4699

**ASIA****HONG KONG**

www.storopack.hk

**New Territories**

Unit A, 6th Floor  
Wah Wing Ind. Bldg.  
14-20 Wing Yip Street  
Kwai Chung, N.T.  
Hong Kong  
Phone +852 3421 2392  
Fax +852 3421 2720  
packaging.asia@storopack.com

**JAPAN**

www.storopack.asia  
packaging.asia@storopack.com  
Kanagawa  
86-2, Shake, Ebina-shi,  
Kanagawa  
243-0424 Japan  
Phone +46 237 3003  
Fax +46 237 3090

**INDIA**

www.storopack.in  
packaging.india@storopack.com

**Pune**

101, Pentagon P 3, Magarpatta  
City,  
Hadapsar, Pune – 411028  
Phone +91 20 268  
98310/20/21

**THAILAND**

www.storopack.com

**Bangkok**

496-502 Amarin Plaza, 18th Floor,  
Ploenchit Rd., Lumpini,  
Pathumwan, Bangkok lo33o  
Phone +66 (0) 9 0552 6069

**EUROPE****GERMANY**

packaging.de@storopack.com  
www.storopack.de

**Metzingen**

Head Office  
Untere Rietstraße 30  
D-72555 Metzingen  
Phone +49 (0)7123 164-0  
Fax +49 (0)7123 164-119

**Service Center**

Max-Holder-Str. 19  
D-72555 Metzingen  
Phone +49 (0)7123 164-0  
Fax +49 (0)7123 164-246

**Dietzenbach**

Waldstraße 32  
D-63128 Dietzenbach  
Phone +49 (0)6074 48 70-150  
Fax +49 (0)6074 48 70-166

**Hamburg**

Asbrookdamm 40  
D-22115 Hamburg  
Phone +49 (0)40 7 15 99-0  
Fax +49 (0)40 7 15 99-44

**Mülheim (Ruhr)**

Gewerbeallee 11  
D-45478 Mülheim  
Phone +49 (0)208 589 89-0  
Fax +49 (0)208 591 812

**Wildau**

Gewerbepark 31  
D-15745 Wildau  
Phone +49 (0)3375 57 8-6  
Fax +49 (0)3375 57 8-700

**BENELUX**

packaging.be@storopack.com  
www.storopack.be  
(Belgium & Luxembourg)  
www.storopack.nl (Netherlands)

**Machelen**

Head Office  
Nieuwbrugstraat 79  
B-1830 Machelen  
Phone +32 (0) 2 756 80 90  
Fax +32 (0) 2 756 80 70

**Harelbeke**

Kortrijksesteenweg 321/1  
B-8530 Harelbeke  
Phone +32 (0) 56 35 72 55  
Fax +32 (0) 56 35 07 68

**Wuustwezel**

Kerkplaats 7  
B-2990 Wuustwezel  
Phone +32 (0) 3 669 99 80  
Fax +32 (0) 3 669 91 94

**ENGLAND**

packaging.uk@storopack.com  
www.storopack.co.uk

**Brackley**

Boundary Road  
Buckingham Road Industrial  
Estate  
GB-Brackley NN13 7ES  
Northamptonshire  
Phone +44 (0)1280 703161  
Fax +44 (0)1280 701915

**Sheffield**

8 Julian Road  
Roman Ridge Industrial Estate  
GB-Sheffield S9 1FZ  
Phone +44 (0)114 249 2004  
Fax +44 (0)114 249 2006

**FRANCE**

packaging.fr@storopack.com  
www.storopack.fr

**Lyons**

592, rue de la liberté  
F-01480 Jassans Riottier  
Phone +33 (0)3 25 55 41 52  
Fax +33 (0)3 25 55 46 04

**Nully**

10, Rue de L'Orgisset  
F-52110 Nully  
Phone +33 (0)3 25 55 41 52  
Fax +33 (0)3 25 55 46 04

**ITALY**

packaging.it@storopack.com  
www.storopack.it  
Via Gennari 43/a  
IT-44042 Cento (Fe)  
Phone +39 051 6832100  
Fax +39 051 6831292

**POLAND**

packaging.pl@storopack.com  
Olgiard Jarzembowski  
Phone +48 530795475

**SWITZERLAND**

packaging.ch@storopack.com  
www.storopack.ch

**Stetten**

Im Stetterfeld 1  
CH-5608 Stetten  
Phone +41 (0) 56 677 87 00  
Fax +41 (0) 56 677 87 01

**SCANDINAVIA**

Janne Karlsson  
Phone +46 708 100 699

**SPAIN**

packaging.es@storopack.com  
www.storopack.es

**Sant Boi de Llobregat**

Andorra, 4  
E-08830 Sant Boi de Llobregat  
(Barcelona)  
Phone +34 93 6 525 210  
Fax +34 93 6 309 550

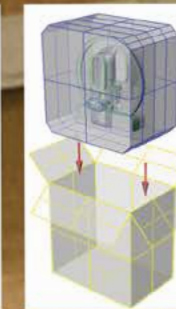
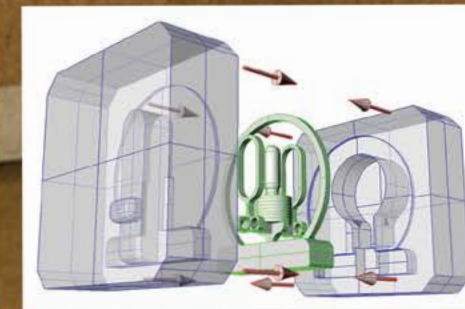
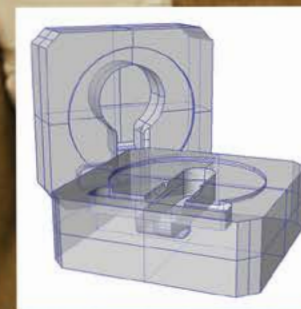
**TURKEY**

packaging@storopack.com  
www.storopack.com.tr

**Istanbul**

Levent No 193 Binasi  
Büyükdere cad. No 193 K.2  
TR-34394 Istanbul  
Phone +90 532 556 19 17

# FOAMplus® - Custom Premold Foam Solutions





# The Smart Choice in Ready-to-use, Custom-fit Protective Packaging.

FOAMplus® Premold Urethane Protective Packaging from Storopack offers a sound choice over other types of preformed protective packaging, wrapping or cushioning materials. With our efficient, cost-saving mold design and creation process, secure custom fit product protection, and the prospect of faster, easier packing, you benefit from multiple improvements to your packaging process.

## Conscientious Design Combined With Maximum Product Protection

We design your premold protective packaging to reduce dunnage and minimize package size for DIM weight efficiencies. A variety of foam densities are available to provide the correct cushioning protection for a wide range of products. Your premold packaging can be created to pass most ISTA testing methods, plus we offer certain testing simulations at our facility. You'll find we have extremely high customer satisfaction due to the damage-free arrival of products.

## Our Efficient CAD Design and Tooling Process Saves You Time and Money.

Using a state-of-the-art CAD system, our experienced design staff renders an accurate design concept from your provided CAD drawing of a product. This method minimizes errors and allows a design tolerance of 1/32" to insure your product fits perfectly into the finished cushion.

We're able to provide a complete printed proof for your review before you spend any money on sample tooling. Our drawings are detailed, showing 3-D renderings of each foam part, critical dimensions, and even the carton size and packing process. Any

necessary adjustments can be easily made then presented in a revised printed proof accompanied by an estimate.

Storopack's premold urethane solution provides you with accurate, custom molded packaging for very low tooling cost. You're looking at a couple of hundred dollars per mold compared to the many thousands you would spend on tooling for EPS or EPP molds. Plus, unlike many of our competitors who build their molds by hand, we use CAM software and a CNC machine to build our molds. This process reduces lead-time on initial orders and provides consistency on duplicate molds.

Can be created to pass any ISTA testing method.

Reduced dunnage and improved overall package size for DIM weight efficiency.

Variety of foam densities available for proper cushioning protection.

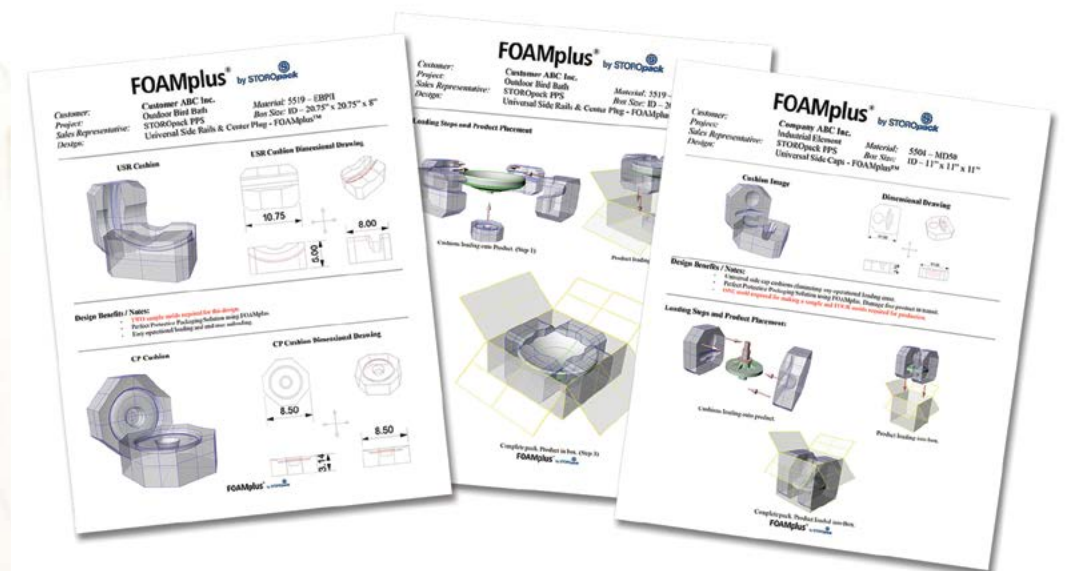
Accurate design and consistent production process guarantees a perfect fit every time.

Works to fit products as small as 4" x 4" x 1".

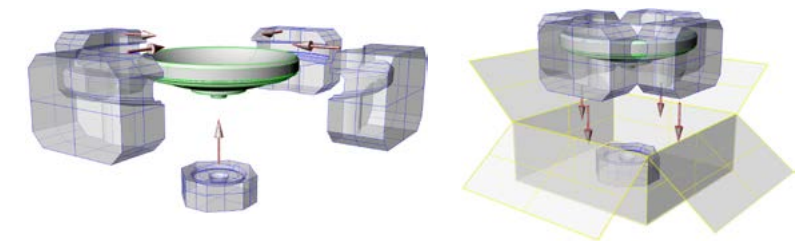
Produced and delivered from 17 convenient locations across North America.



Review detailed printed CAD proofs before you spend any money on tooling.



Designs include demonstration of the complete packing procedure.



Visit [storopack.us](http://storopack.us) for more Perfect Protective Packaging ideas.