

Technical Specifications

- Capacity: From 500 kg to 100 tons
- Travel: 500 to 4000 mm
- Closed Height: 180 - 800 mm
- Length: 900 - 6000 mm
- Width: 650 - 3000 mm
- CE-Marked and comply with European Norms and Standards
- 2 Safety lock for maintenance
- Safety trip bar in aluminum
- Available in Ral Colors
- Large in-house lift table stock for immediate delivery



NOTE: ALL DETAILS CAN BE CUSTOMIZED FOR YOUR NEEDS

OndLift is biggest manufacturer company in Lifting Tables sector in Turkey and exporting 32 countries.

OndLift' s Lift Tables series, designed for high lifting capacities and performance of applications.

OndLift' s Lift Tables series can be the manufacturing with different kind of options, such as mobile base, load-ing flaps, guard rails, rollers. (for detailed information, please check Lift Table Accessories Datasheet).

OndLift' s Lift Table series, have a vital role to create ergonomic and safe working conditions. Can be the best selection of challenging situations, high lifting capacities, intense pace of work.

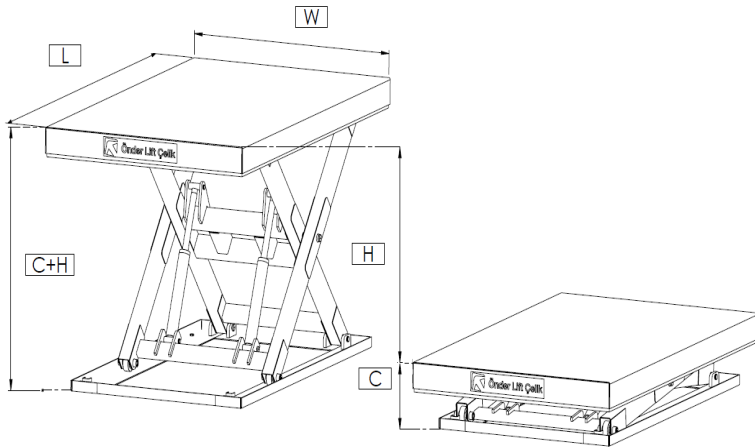
For more information www.ondlift.com



Art No	Model	Capacity kg	Platform Dimension LxW mm x mm	Lift Stroke H mm	Closed Height C mm	Lift Time sec	Motor kW	Weight kg
65.20.001	ESP.1-L/20-13-1	2000	2000 x 1500	1300	305	27	2,2	750
65.20.002	ESP.1-L/20-13-2	2000	2000 x 2000	1300	305	27	2,2	850
65.20.003	ESP.1-L/20-16-1	2000	2500 x 1500	1600	305	33	2,2	900
65.20.004	ESP.1-L/20-16-2	2000	2500 x 2000	1600	305	33	2,2	1050
65.20.005	ESP.1-L/20-16-3	2000	2500 x 2300	1600	305	33	2,2	1200
65.20.006	ESP.1-L/20-16-4	2000	3000 x 2000	1600	305	37	2,2	1250
65.20.007	ESP.1-L/20-16-5	2000	3000 x 2300	1600	305	37	2,2	1400
65.30.100	ESP.1-L/30-13-1	3000	2000 x 1500	1300	305	27	2,2	750
65.30.101	ESP.1-L/30-13-2	3000	2000 x 2000	1300	305	27	2,2	850
65.30.102	ESP.1-L/30-16-1	3000	2500 x 1500	1600	305	33	2,2	900
65.30.103	ESP.1-L/30-16-2	3000	2500 x 2000	1600	305	33	2,2	1050
65.30.104	ESP.1-L/30-16-3	3000	2500 x 2300	1600	305	33	2,2	1200
65.30.105	ESP.1-L/30-16-4	3000	3000 x 2000	1600	305	37	2,2	1250
65.30.106	ESP.1-L/30-16-5	3000	3000 x 2300	1600	305	37	2,2	1400
65.40.200	ESP.1-L/40-16-1	4000	2500 x 1500	1600	450	30	3	1300
65.40.201	ESP.1-L/40-16-2	4000	2500 x 2000	1600	450	30	3	1400
65.40.202	ESP.1-L/40-16-3	4000	2500 x 2300	1600	450	30	3	1750
65.40.203	ESP.1-L/40-16-4	4000	3000 x 2000	1600	450	30	3	1600
65.40.204	ESP.1-L/40-16-5	4000	3000 x 2300	1600	450	30	3	1800
65.60.300	ESP.1-L/60-16-1	6000	2500 x 1500	1600	450	32	4	1400
65.60.301	ESP.1-L/60-16-2	6000	2500 x 2000	1600	450	32	4	1600
65.60.302	ESP.1-L/60-16-3	6000	2500 x 2300	1600	450	32	4	1800
65.60.303	ESP.1-L/60-16-4	6000	3000 x 2000	1600	450	32	4	1750
65.60.304	ESP.1-L/60-16-5	6000	3000 x 2300	1600	450	32	4	1950
65.60.305	ESP.1-L/60-20-1	6000	4000 x 2300	2000	650	32	4	2750
65.60.306	ESP.1-L/60-20-2	6000	5000 x 2300	2000	650	32	4	3500
65.80.400	ESP.1-L/80-16-1	8000	3000 x 2000	1600	650	45	4	2000
65.80.401	ESP.1-L/80-16-2	8000	3000 x 2300	1600	650	45	4	2250
65.80.402	ESP.1-L/80-20-1	8000	4000 x 2300	2000	750	60	5,5	3200
65.80.403	ESP.1-L/80-20-2	8000	5000 x 2300	2000	750	60	5,5	4000
65.100.500	ESP.1-L/100-16-1	10000	3000 x 2000	1600	650	45	5,5	2300
65.100.501	ESP.1-L/100-16-2	10000	3000 x 2300	1600	650	45	5,5	2500
65.100.502	ESP.1-L/100-20-1	10000	4000 x 2300	2000	750	60	7,5	3500
65.100.503	ESP.1-L/100-20-2	10000	5000 x 2300	2000	750	60	7,5	4500

* External power pack

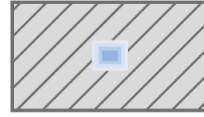
Technical Drawing



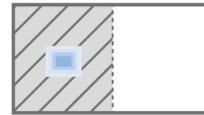
- L:** Platform Length
- W:** Platform Width
- C:** Closed Height
- H:** Stroke
- C + H:** Maximum Height

Load Factors Accordance with EN1570-1

Maximum load refers to the load being uniformly distributed over the entire platform area in accordance with EN 1570 the basic requirements are;



100 % of maximum load uniformly distributed over the entire platform.

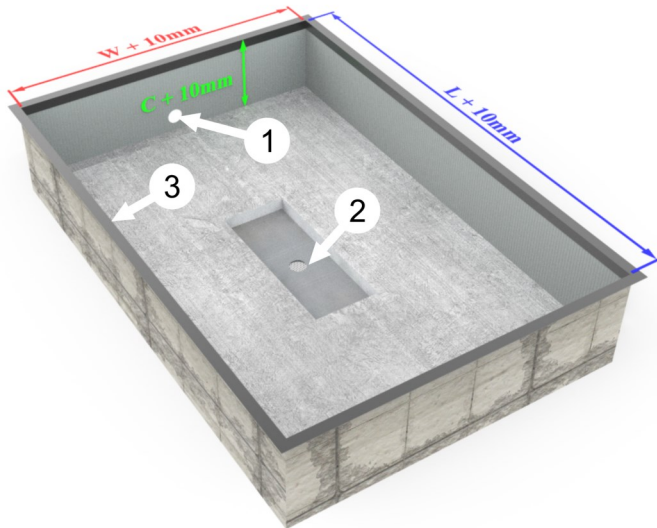


50 % of load weight uniformly distributed over half of the platform area lengthwise.



33 % of load weight uniformly distributed over half of the platform area sideways.

Standard Pit Details



When a lifting table is installed in a pit, the pit should be constructed according to the illustration on the left.

- W = Width of the platform
- L = Length of the platform
- H = Lowest height of the lift table

The pit's ballast material must at least meet the concrete classification C12/15.

The hydraulic power pack for lifting tables in an outdoor environment should, where possible, be externally located in a covered or indoor environment.

- 1- Pipe for incoming cables, 100 mm in diameter. The fixed side of the lift table.
- 2- Drainage holes where required. This is centre of the pit should be 80 mm.
- 3- L-shaped profile 100 x 100 mm to reinforce the pit edges.

ONDLIFT Mak. San. Tic. Ltd. Şti

Factory: Organize Sanayi Bolgesi 2004 Cad. No: 4
Turgutlu/Manisa/TURKEY

Showroom: İmes San. Sit. C.302 Sk. No:13
Y.Dudullu/Umraniye/Istanbul/TURKEY

Tel: 0090 236 332 5050

ondlift@ondlift.com

Product specifications are subject to change without any notice or obligation. The photographs and/or drawing in this documents are for illustrative purpose only. All productions of OndLift, manufacturing for CE standards.

Turkey
Discover the potential

Onder Lift Celik



43rd Years Anniversary

Your warehouse partner

Onder Group Company