

Nutting®

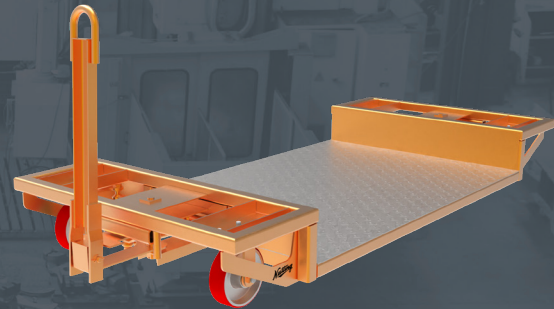
CARTS & TRAILERS

Order Picking Platforms

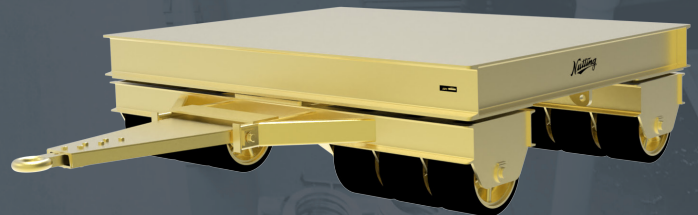
Caster Steer Trailers



Link Caster Steer Trailers



Since 1891, Nutting continues to be the premier manufacturer of custom engineered material handling carts, platforms, and trailers proudly made in the USA. Nutting products feature sturdy materials using state-of-the-art fabrication to support any task and are built for life.



Fifth Wheel Steer Trailers



6-Wheel Pivot Steer Trailers



“Specials Are Our Specialty”



Hybrid Trailers



Mother/Daughter Carts

Common applications for our handling carts and trailers include warehouses, distribution centers, and manufacturing facilities. We manufacture specialized solutions through modification of existing products or construct completely customizable solutions based on unique project needs.

Reach out to us for your next project!



Order Picking Platforms | Caster Steer Trailers | Fifth Wheel Steer Trailers
Link Caster Steer Trailers | Hybrid Trailers | Mother/Daughter Carts
Automotive Steer Trailers | Pivot Steer Trailers | Platforms | & More!



450 Pheasant Ridge Drive • Watertown, SD 57201
1.800.533.0337 • AccoNutting.com

