

 **TEXWRAP**[®]

EPS SERIES SOLUTIONS

E-COMMERCE PACKAGING SYSTEMS

R&E

ROBOTICS &
END OF LINE

EPS SERIES

E-COMMERCE PACKAGING SYSTEMS

Flexible, high output e-Commerce shrink wrapping and bagging systems.

The e-commerce industry is evolving faster than ever. Businesses that want to harness the power of supply chains need confidence in their ability to deliver the right products to the right customer. Factors to consider range from customer experience and damage reduction to packaging performance and operational throughput.

EPS Series systems produce either wrap-to-ship or wrap-to-stock mail packages that effectively save on costs, labor, and time. With advanced features, Texwrap systems can minimize material usage and maximize efficiency, for your end-of-line mailer fulfillment.

The number one advantage to using flexible packaging instead of cases is the reduction of your freight costs. Texwrap's EPS Series solutions for businesses with mid to high e-Commerce production volumes

WHY TEXWRAP?

Texwrap is the market leader for innovation, technology and customer support. Our EPS Series represents a turnkey integrated equipment solution from ProMach - conveyance, label application and bagging.

The EPS series saves on manual packing labor costs and offers significant material cost savings versus premade bags.

Made in the U.S.A. quality and customer support, and our industry leading 10-Year Built-Better Backed-Better Warranty ensure the Lowest Total Cost of Ownership in the Industry.



EPS SERIES FEATURES & BENEFITS



PHOTO EYE MEASUREMENT

Advanced photo eyes accurately measure the product dimensions to create the perfectly sized package every time.



INTEGRATED LABELING SYSTEM

Integrated high-quality ID Technology labeler automates placement of shipping label.



FULLY AUTOMATIC SOLUTIONS

Fully automatic solutions available that can be installed at the end of existing lines and runs without human interaction.



SMART SCAN TECHNOLOGY

Detects if a package is removed from the sequence after scanning and stops the machine, ensuring product is not shipped to the wrong customer.

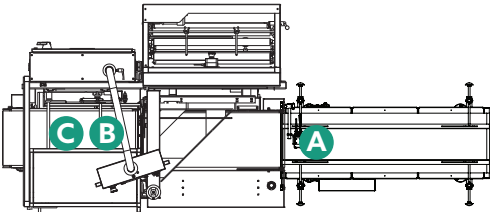
Wrap-to-Ship or Wrap-to-Stock

Whether you want to ship product directly to consumers or create unitized product for warehouse distribution, Texwrap's EPS series solutions can meet your needs.

Our EPS Series solutions are based on Texwrap's industry leading L-Sealers and continuous motion side sealers creating a consistent package for either application. Either machine can be configured for manual or automated feeding and for both shrink and non-shrink applications.

E-COMMERCE BAGGING SYSTEM (EPSB)

EPSB-3322 L-Seal Wrapper System is shown. EPSB-2011 System also available.

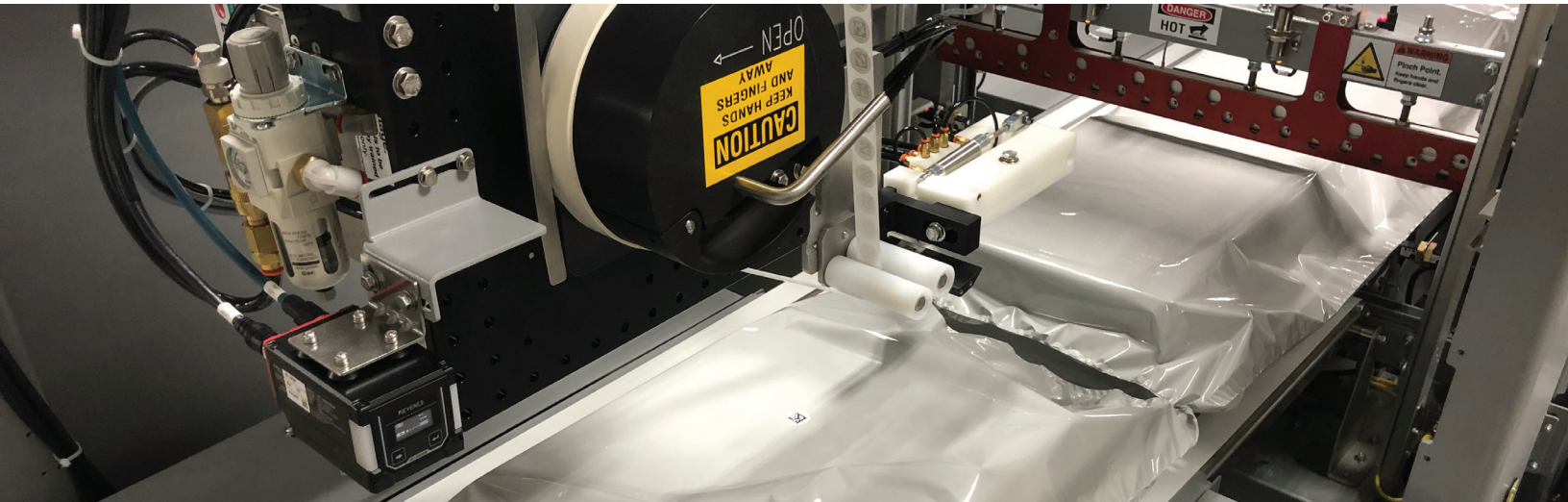
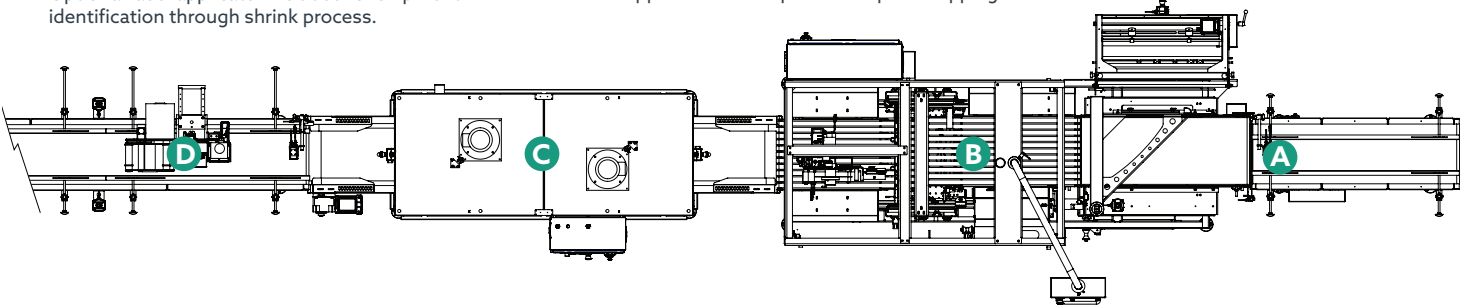


- A** Accurately measures dimensions OF each product allowing an infinite number of SKUs to enter the wrapper.
- B** TLS Series L-Sealer or CSS Series Side Sealer creates a right-sized film bag around input product for shipping.
- C** Integrated Labeling System (optional) - For Wrap-to-Ship applications, ID Technology's printer applicator is incorporated to print shipping labels.

E-COMMERCE SHRINK SYSTEM (EPSS)

EPSS-2011 Side Seal System is shown. EPSS-3322 System also available.

- A** Accurately measures dimensions OF each product allowing an infinite number of SKUs to enter the wrapper.
- B** TLS Series L-Sealer or CSS Series Side Sealer creates a right-sized film bag around input product for shipping. Optional label applicator included for shipment identification through shrink process.
- C** Multi-zone Shrink Tunnel - Three-chamber tunnel offers air flow and air direction controls for each zone to shrink film into an aesthetically pleasing package.
- D** Integrated Labeling System (optional) - For Wrap-to-Ship applications, ID Technology's printer applicator is incorporated to print shipping labels.





 **PROMACH**[®]

 **TEXWRAP**[®]

Texwrap provides high-quality stand-alone machinery and systems to produce commercially attractive shrink wrapped and shrink bundled products that are protected for storage and shipping. We provide one of the most comprehensive lines of cost-effective high-speed shrink wrapping and bundling solutions for a variety of applications including L-bar sealers, continuous motion side sealers, intermittent motion side sealers, lap sealers, and vertical wrappers, as well as tunnels, conveyors, and infeeds. We also specialize in designing and building systems for e-commerce packaging, as well as custom systems to fit unique applications for a variety of shaped products.

We have a network of highly-trained packaging distributor partners to better serve our customers. These partnerships ensure the best machinery and application fit, smooth startup, reliable local service, and long-term return on investment.

USA
525 Vossbrink Dr.
Washington, Missouri 63090
P: 636-239-7424
TOLL FREE: 800-886-7421

E: Texwrap@ProMachBuilt.com
W: Texwrap.com

