

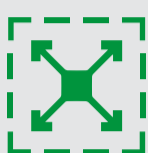






MMA operates through committees with programs adopted by the membership. Its many activities include an active engineering committee and the promotion of safe product use. MMA is represented on a number of standards developing committees and actively supports the development and certification of safety standards by the ANSI consensus method. (ANSI MH27.1 & ANSI MH27.2)

MMA members are the industry leaders who are committed to providing safe, efficient overhead systems that meet the performance requirements of manufacturing applications.

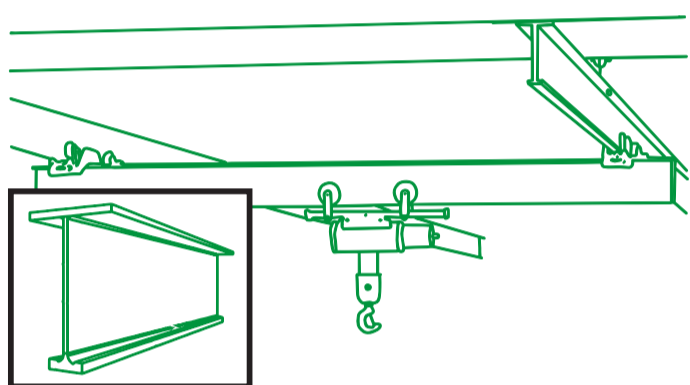
Customer Benefits

 Increased Manufacturing Performance and Throughput	 Efficient Load Handling	 Accurate Positioning of Loads
 Maximum Use of Floor Space	 Improved Ergonomics	 Improved Worker Safety
 Durability	 System Flexibility	 Lower Cost of Ownership

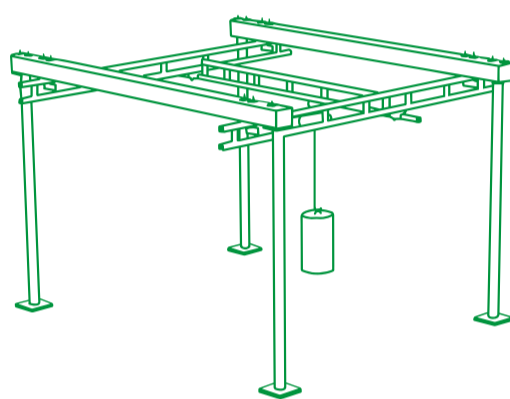
Customers can confidently purchase and derive superior value from the industry experts.

Patented track and enclosed track systems with the MMA Certified Label, have been certified by a 3rd party Professional Engineer (PE) to meet specific ANSI standard requirements.

Types of Products



Patented Track Underrunning Crane and Monorail Systems



Enclosed Track Workstation Cranes and Monorails

Industries Served

CONCRETE **CHEMICAL** **AEROSPACE** **GOVERNMENT, DEFENSE**
PULP AND PAPER **GLASS** **BRICKS** **AUTOMOTIVE**
CEMENT **FOUNDRY** **INJECTION MOLDING** **WAREHOUSING AND DISTRIBUTION** **SHIP BUILDING**
STEEL AND ALUMINUM PRODUCTION, PROCESSING AND FABRICATION
MANUFACTURING **MINING** **MACHINERY ASSEMBLY**
ENERGY **CONSTRUCTION** **FOOD AND BEVERAGE**

Interesting Fact:

Patented track evolved from re-rolled old railroad rails for handling materials in cattle barns. As loads became heavier and service requirements became more exacting, the need arose to develop track to carry heavier loads over longer spans with a better rolling surface.

AUTOMATION POSSIBILITIES

Patented Track and Enclosed track cranes and monorail systems can be provided as manual, powered, semi-automatic or fully automatic systems. They can be installed in very sophisticated integrated lifting systems and can be equipped with hoists, vacuum lifters, and manipulators.

Monorail Manufacturers Association (MMA) members are the leading providers of overhead monorail systems. The members of MMA design, manufacture, assemble, install and service enclosed track, patented track underrunning cranes and monorail systems and electrified monorail systems and related products.

MMA MEMBERS...

MMA members are committed to providing products which focus on safety, innovation and on delivering the proper solution for the required duty and performance which provide maximum benefits to our customers.

Learn about our member companies, www.mhi.org/mma/members.

Join MMA, www.mhi.org/mma.



SYSTEMS INSTALLED PER YEAR

1,000s

MMA Members comprise the largest and most experienced enclosed rail and patented track crane and monorail manufacturers. They produce and install thousands of systems annually in the largest to the smallest manufacturing facilities throughout North America.

TECHNICAL EXPERTISE

MMA engineering and technical documents are widely recognized as the resource for safe, proper use and selection of monorail and work station crane products. MMA industry engineers regularly meet and continue to develop these technical resources. MMA has developed two ANSI Standards:

MH27.1 and MH27.2 which are specifications for--- Patented track underrunning cranes and monorails and Enclosed track underrunning cranes and monorails, respectively.

EDUCATIONAL RESOURCES

- Product guide
- Crane and Monorail Basics
- Specifications for Patented Track underrunning crane and monorail Systems
- Specifications for Enclosed Track underrunning crane and monorail Systems
- Recommended practices for Workstation Cranes and Patented Track Systems
- Crane Operators Manual and Quick cards
- Inspection and Maintenance check list